

MODEL	Large Capacity Tray for F21	VOLT/Hz	DATE OF MODIFICATION	SERIAL NO
MODIFIED ARTICLE	Connector Bracket			
REASON OF MODIFICATION	To prevent the connector from being broken			

DRAW. NO.	OLD PARTSNO.	NEW PARTS NO.	DESCRIPTION	A.B.C	Q'TY USED	INTER-CHANGE-ABILITY	PARTSNEEDED FOR REPLACEMENT BYNEWPART		PART CATALOG	
				RANK	OLD→NEW		PART NO.	DESCRIPTION	INDEX NO.	PAGE
		59382748	Connector Bracket		o - 1	/		New Index →	28	11
		09514010W	Philips Truss Head Screw - M4 x 10		n - n+1	/			105	11
						/				
						/				
						/				
						/				
						/				
						/				
						/				
						/				
						/				
						/				
						/				
						/				
						/				
						/				
						/				
						/				
						/				

- (1) **A** : To replace new parts immediately.
- B** : To replace new parts at the time of repair.
- C** : To replace new parts at the time of overhaul.
- (2) When old and new parts are not mutually interchangeable, use additional parts or an assembly part indicated in "PARTSNEEDED FOR REPLACEMENT BY NEW PART" to install the new part.
- (3) Left mark indicates whether old part can be used in new machine or not.
 Right mark indicates whether newpart can be used in old machine or not.
- (4) Please file this BULLETIN between pages _____ and _____ of your service manual.

DETAILS OF MODIFICATION

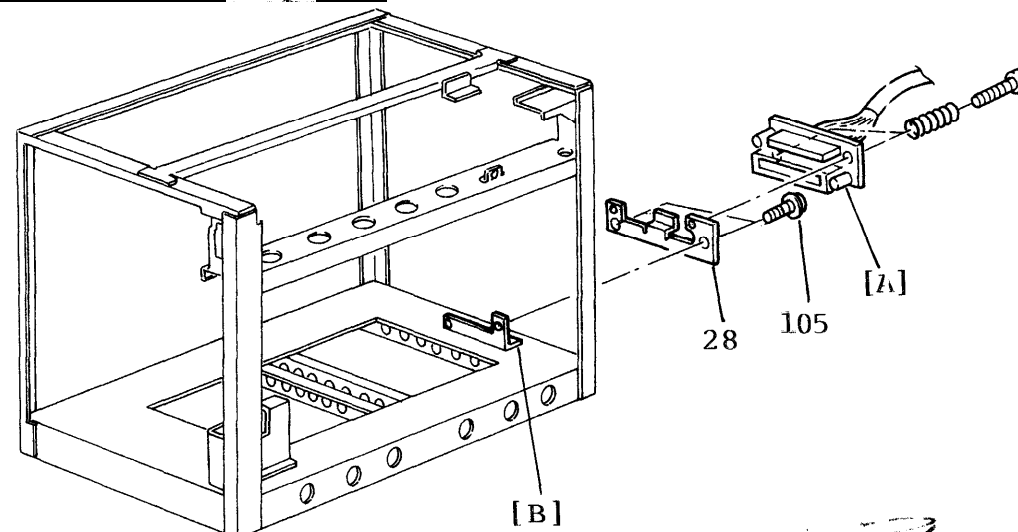
MANUAL PAGE

The connector [A] of the option tray harness is sometimes broken by pulling out and pushing in the paper tray drawer repeatedly.

As a result, the paper tray drawer cannot be pushed in or the paper end indicator remains on. Therefore, the connector bracket has been added between the connector and the frame.

NOTE: The shape of the frame [B] has also been changed. However, the frame is not a service Part. Thus, the connector bracket cannot be installed onto the machines which have been produced before the serial number mentioned on Page 3 of 3.

4. EXTERIOR 2 (A463) (Page 10)



M. Konno
M. Konno, Manager
 Quality Assurance Department

Large Capacity Tray for F21

CONTROL No. NO. 1	V/Hz	DESTINATION	JAPAN PRODUCTION	
MODEL NAME			CODE	SERIAL NUMBER
RICOH RT25	115/60	USA	A463-17	2469070077
RICOH RT25	220,240/50	EUROPE, etc	A463-27	2469070001

M/B NO. : Master number of modification bulletin for this model.

CONTROL NO. : Reference number of modification bulletin for your model.

MODEL	Large Capacity Tray for F21	VOLT/Hz	DATE OF MODIFICATION	SERIAL NO.
MODIFIED ARTICLE	Actuator - Upper Volume Sensor			
REASON OF MODIFICATION	To prevent the drive wire from being cut			

DRAW. NO.	OLD PARTS NO.	NEW PARTS NO.	DESCRIPTION	A.B.C RANK	Q'TY USED OLD-NEW	INTER-CHANGEABILITY	PART NEEDED FOR REPLACEMENT BY NEW PART		PART CATALOG	
					PART NO.		DESCRIPTION	INDEX NO.	PAGE	
	59382871	A4632881	Upper Guide - Separation Roller		1 - 1	<input checked="" type="checkbox"/> / <input type="checkbox"/>	} x/o	as a set	18	7
	59382867	A4632877	Actuator - Upper Volume Sensor		1 - 1	<input checked="" type="checkbox"/> / <input checked="" type="checkbox"/>				28

(1) A : To replace new parts immediately.

B : To replace new parts at the time of repair.

C : To replace new parts at the time of overhaul.

(2) When old and new parts are not mutually interchangeable, use additional parts or an assembly part indicated in "PARTS NEEDED FOR REPLACEMENT BY NEW PART" to install the new part.

(3) Left mark indicates whether old part can be used in new machine or not.

Right mark indicates whether new part can be used in old machine or not.

(4) Please file this BULLETIN between pages _____ and _____ of your service manual

DETAILS OF MODIFICATION

MANUAL PAGE

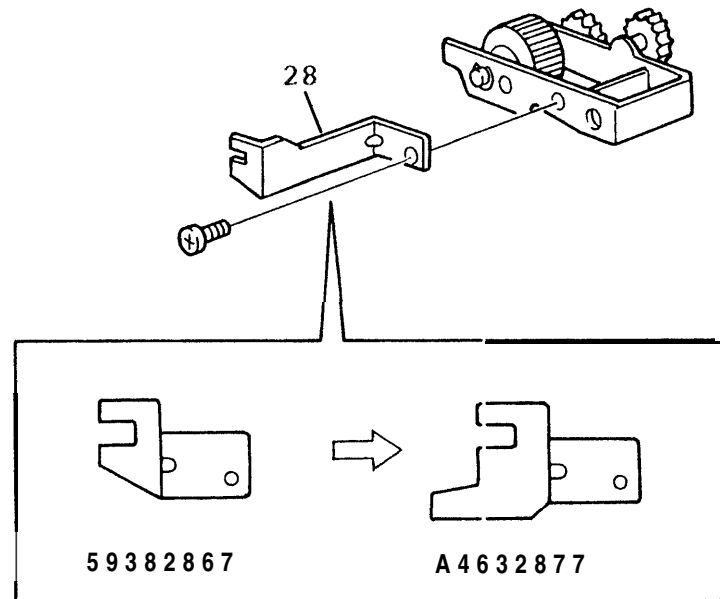
When the paper is not loaded at the proper position on the large capacity tray, the tray overruns and then the drive wire may be cut.

Therefore, the shape of the upper volume sensor actuator has been changed as shown in the illustration. As a result, the upper volume sensor has been able to detect the paper which is loaded within 22 mm [A] from the right side plate [B]. However, when the paper is loaded between 12 mm and 22 mm from the right side plate, paper misfeed occurs in the paper feed section.

Due to the change of the upper volume sensor actuator, a part [C] of the upper guide has been cut off to prevent the actuator from coming into contact with the upper guide.

NOTE: When the upper sensor actuator is replaced with the new one, please replace the upper guide at the same time.

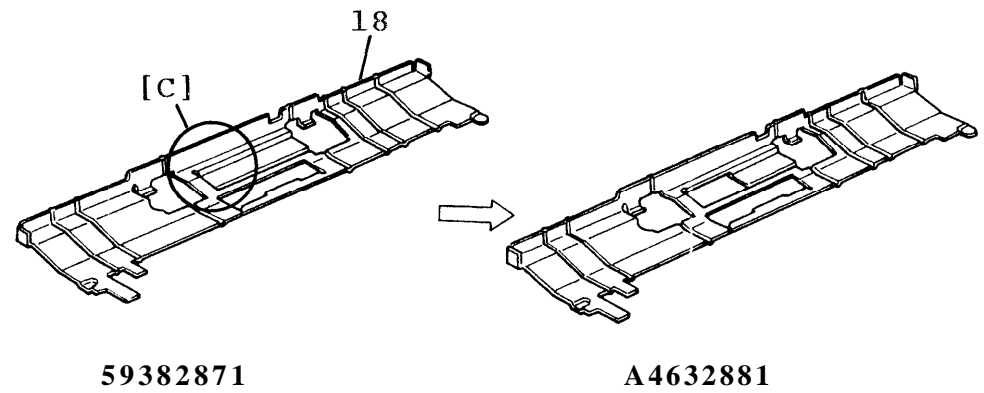
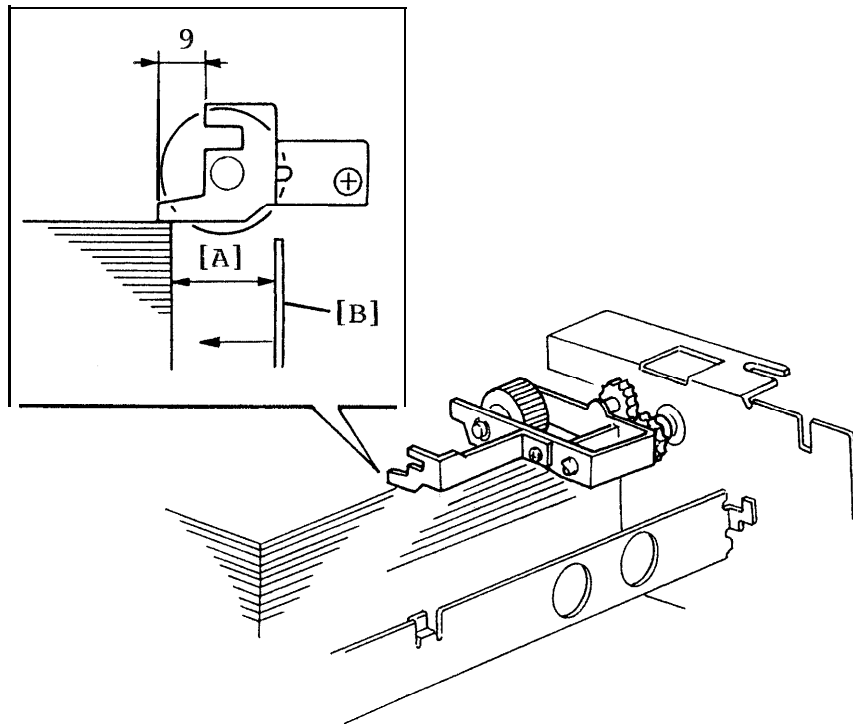
2. PAPER FEED UNIT (A463) (Page 6)



DETAILS OF MODIFICATION

MANUAL PAGE

2. PAPER FEED UNIT (A463) (Page 6)



M. Konno
M. Konno, Manager
Quality Assurance Department

Large Capacity Tray for F21

CONTROL No. NO. <u>2</u>	v/Hz	DES'TNATION	JAPAN PRODUCTION	
			MODEL NAME	CODE
RICOH RT25	115/60	USA	A463-17	2469100043
RICOH RT25	220,240/50	EUROPE, etc	A463-27	2469100001

M/B NO. : Master number of modification bulletin for this model.

CONTROL NO. : Reference number of modification bulletin for your model.

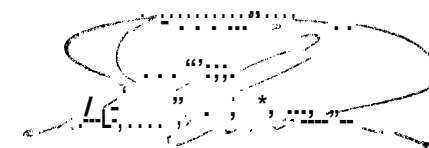
Model	LCT for F21/F22 SAVIN only	Volt/Hz	Date of Modification	Serial Number
Modified Article	Caution decal			
Reason for Modification	As per field request			

As per field request the caution decal - English has been registered as a service parts.

P/N	Description	Q'ty	Index No.	Page
54468870	Decal - English	2	61	7

Decal

Pull out paper tray when the button light steadily.



T. Ito, Manager
Copier Technical Support

MODEL NAME	V/Hz	DESTINATION	CODE	SERIAL NUMBER
Large Capacity Tray for Savin 640, 9710	11 5/60	USA	A463-15	3860100201
Ricoh RT25	11 5/60	USA	A463-17	
Kane Magazine 9165	220, 240/50	EUROPE	A463-26	
Ricoh RT25	220, 240/50	EUROPE	A463-27	

Model		Large Capacity Tray for F21 /F22 (SAVIN ONLY)					Volt/Hz	Date of Modification	Serial Number	
Modified Article		Tray Button Switch								
Reason for Modification		Parts catalog correction								
Draw No.	Old Parts No.	New Parts No.	Description	A.B.C. Rank	Q'ty Used Old → New	Inter-changeability	Part needed for replacement by new part		Parts Catalog	
							Part No.	Description	Index No.	Page
	59387422		Shutter (SVN)		1 → 0				2	9
	54462724		Spring - Shutter		1 → 0				3	9
	54462723		Shutter Shaft		1 → 0				4	9
	07200030E		Retaining Ring - M3		2 → 0				101	9
	52195500	A0585300	Tray Button Switch		1 → 1				5	9

Rank: **A** : Replace with new parts immediately. **B** : Replace with new parts at time of repair. **C** : Replace with new parts at time of overhaul.

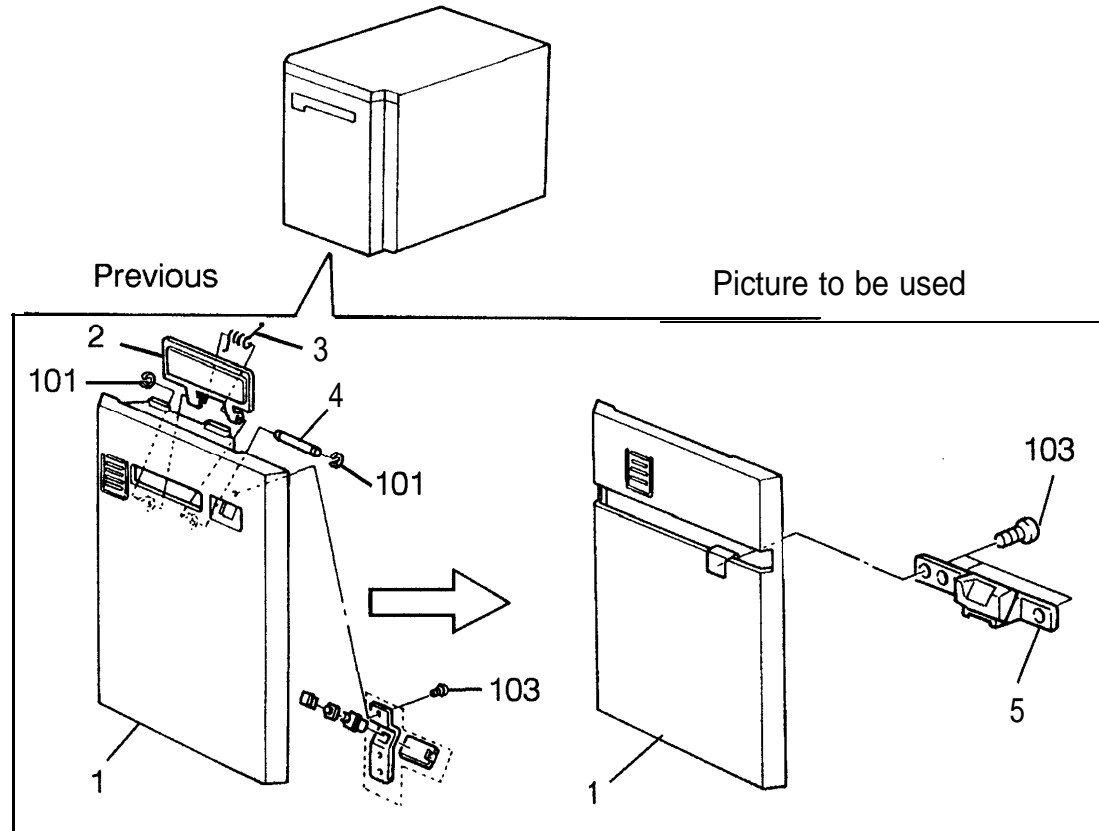
Interchangeability:

(1) When old and new parts are not mutually interchangeable, use additional parts or an assembly part as indicated in "Parts needed for replacement by new part" to install the new part.

(2) The mark to the left of the slash indicates whether the old part can be used in the new machine, and the mark to the right indicates whether the new part can be used in the old machine. x =Not interchangeable o = I nterchangeable

DETAILS OF MODIFICATION

Please replace the picture in your parts catalog as follows:



T. Ito, Manager

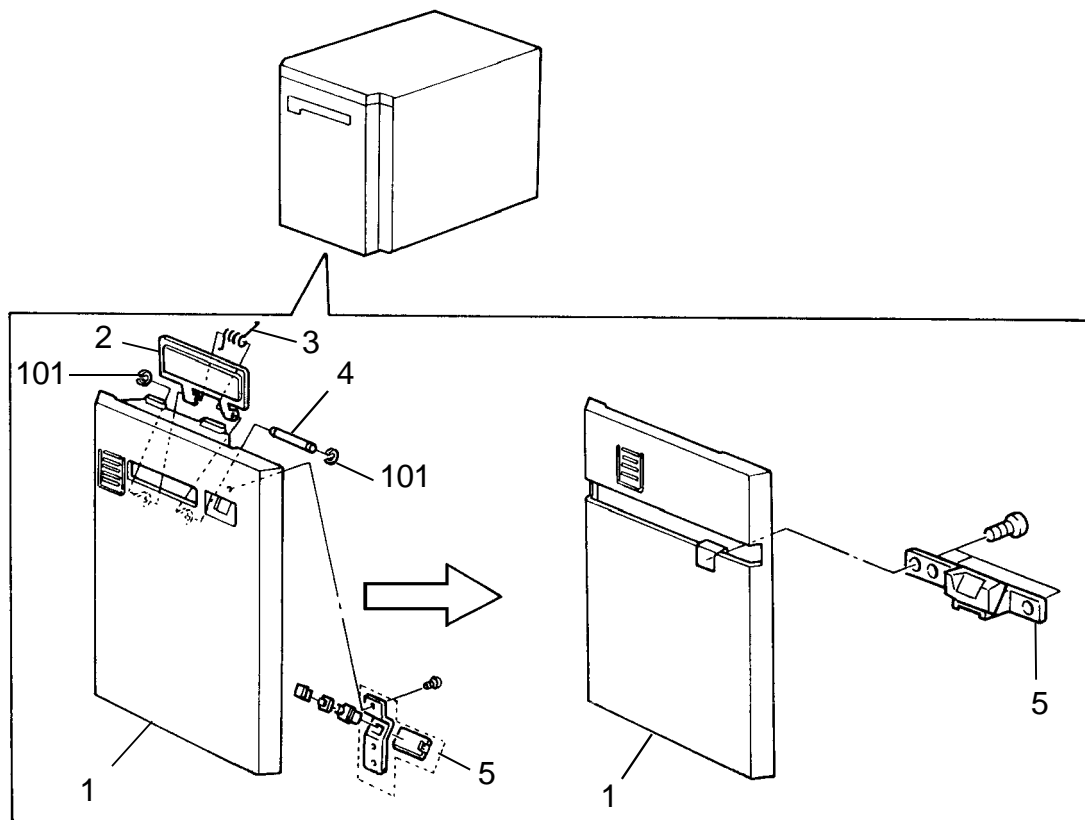
MODEL NAME	V/Hz	DESTINATION	CODE	SERIAL NUMBER
Large Capacity Tray for Savin 640, 9710	11 5/60	USA	A463-15	Parts Catalog Correction
Ricoh RT25	11 5/60	USA	A463-17	
Kane Magazine 9165	220, 240/50	EUROPE	A463-26	
Ricoh RT25	220, 240/50	EUROPE	A463-27	

Model		Large Capacity Tray for F21/F22					Volt/Hz	Date of Modification	Serial Number	
Modified Article		Front Cover etc.								
Reason for Modification		Due to a design change in the LCT, the following parts have been changed.								
Draw No.	Old Parts No.	New Parts No.	Description	A.B.C.	Q'ty Used Old → New	Inter-changeability	Part needed for replacement by new part		Parts Catalog	
				Rank			Part No.	Description	Index No.	Page
	A4632723	A4632717	Front Cover - Large Capacity Tray (RIC)		1 → 1	X/X			1	9
	A4637053	A4637517	Front Cover - Large Capacity Tray (KAL)		1 → 1	X/X		X/O as a set	1	9
	A4632732		Shutter (RIC)		1 → 0			X/O as a set	2	9
	A4637054		Shutter (KAL)		1 → 0				2	9
	54462724		Spring - Shutter		1 → 0				3	9
	54462723		Shutter Shaft		1 → 0				4	9
	52195500	A0585300	Tray Button Switch		1 → 0	X/X			5	9
	07200030E		Retaining Ring - M3		2 → 0				101	9

Rank: A : Replace with new parts immediately. B : Replace with new parts at time of repair. C : Replace with new parts at time of overhaul.
 Interchangeability:
 (1) When old and new parts are not mutually interchangeable, use additional parts or an assembly part as indicated in "Parts needed for replacement by new part" to install the new part.
 (2) The mark to the left of the slash indicates whether the old part can be used in the new machine, and the mark to the right indicates whether the new part can be used in the old machine. x = Not interchangeable o = Interchangeable

DETAILS OF MODIFICATION

To make the look of the LCT compatible with the F22, the design of the front cover and the tray button switch have been changed, but the old LCT can also be used on the F22.



T. Ito, Manager
Copier Technical Support

MODEL NAME	V/Hz	DESTINATION	CODE	SERIAL NUMBER
Large Capacity Tray for Savin 640, 9710	115/60	USA	A463-15	
Ricoh RT25	115/60	USA	A463-17	2460070089 ~
Kalle Magazine 9165	220, 240/50	EUROPE	A463-26	3851000001 ~
Ricoh RT25	220, 240/50	EUROPE	A463-27	2460070001 ~

Model	Large Capacity Tray for F21 / F22	Volt/Hz	Date of Modification	Serial Number
Modified Article	Pick-up Roller			
Reason for Modification	Vender change			

As the vender has been changed, the part number of the pick-up roller is changed.
 The quality and the durability of the new part is the same that of the old part.

Old P/N	New P/N	Description	Q'ty Used	Interchangeability	Index No.	Page
54297069	AF030016	Pick-up Roller	1 → 1	O/O	27	7

T. Ito, Manager
 Copier Technical Support

MODEL NAME	V/Hz	DESTINATION	CODE	SERIAL NUMBER
Large Capacity Tray for Savin 640, 9710	115/60	USA	A463-15	3862051546
Ricoh RT25	115/60	USA	A463-17	2462050001
Kalle Magazine 9165	220, 240/50	EUROPE	A463-26	3850520001
Ricoh RT25	220, 240/50	EUROPE	A463-27	2462050100
Minolta C221	115/60	USA	A463-51	From 1st production
Toshiba MP-2201	115/60	USA	A463-52	From 1st production